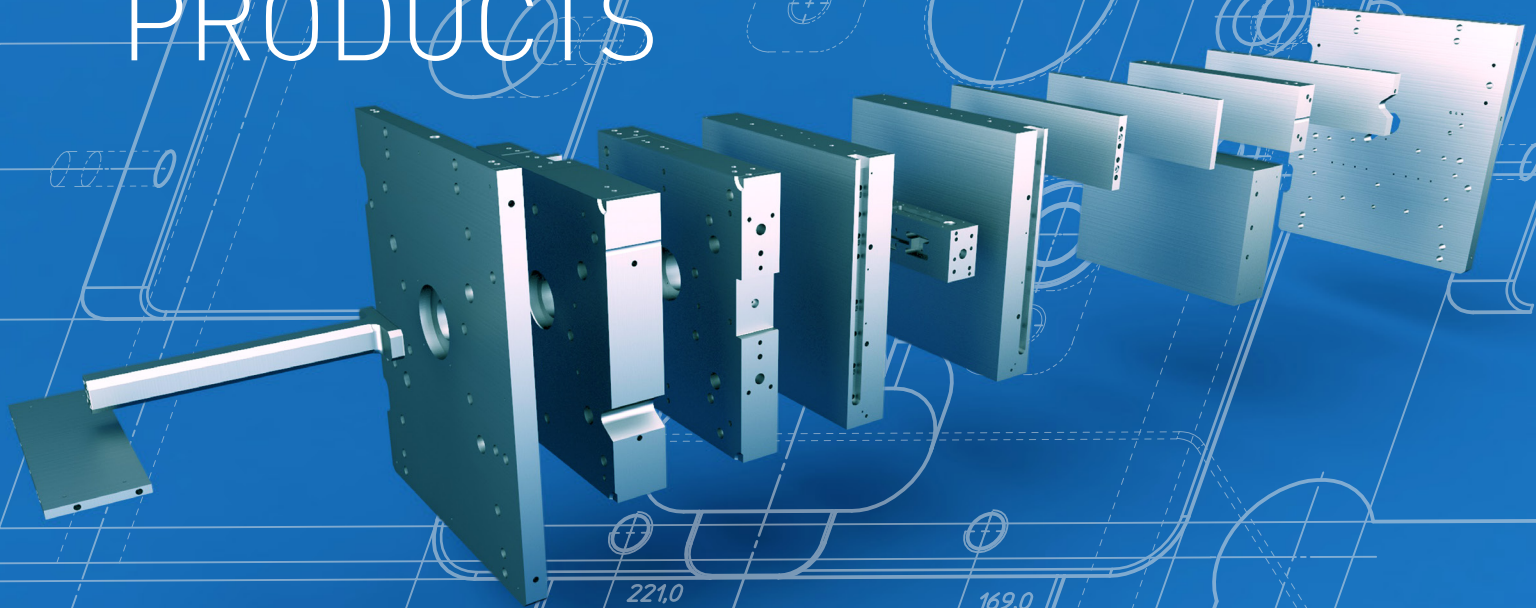


# OROpus

## PRESENTATION ABOUT THE COMPANY SERVICES AND PRODUCTS



# OUR COMPANY IS SOMETHING SPECIAL...

Company Oro Plus d.o.o., which was founded in may 2012, has for its main activity production of tools for industry. We started our business with three employees in the small village Studeno near Postojna, where production is still ongoing.

In the short but very intense seven years of our existence, we have increased our machine fleet and also come to more than 20 diligent employees. We provide the tool industry with full support in CNC machining of tool plates (standard and non-standard/customized) and deep drilling and surface grinding services.

By investing in the machinery and technology, in the professional competence of our employees and in quality, we create new values that our customers trust in Slovenia and abroad (Austria, Germany, Belgium, France, Czech Republic, etc.).

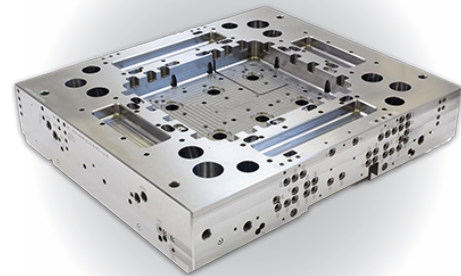
## STANDARD DIE BLOCKS

blocks up to 1500x950 mm: plastic injection moulds, die cast tools, rubber moulds, cutting dies



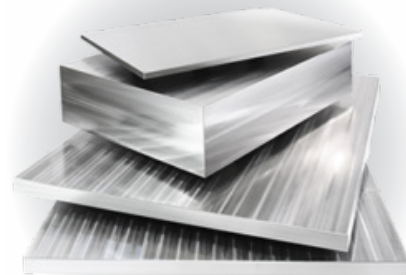
## NON-STANDARD DIE BLOCKS

blocks up to 1500x950 mm: plastic injection moulds, die cast tools, rubber moulds, cutting dies



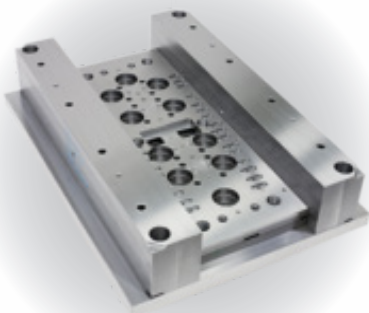
## CNC MACHINING OF TOOLING PLATES

plates up to 1500x950 mm: tooling plates, machine parts



## DEEP-HOLE DRILLING

blocks up to 1500x950 mm: up to a depth of 1200 mm, diameter from 4 to 25 mm



## WHAT WE DO, WE DO IT WITH PASSION...



Our products cover the following areas:

- CNC processing of standard tool plates
- CNC processing of non-standard tool plates ordered by the customers
- Deep hole drilling up to a depth of 1200mm
- Grinding of tool plates up to size of 800x600 mm

## MACHINE FLEET...

- 1 CNC processing center - 5 axis
- 7 CNC processing center – 3 axis
- 1 NC horizontal drilling-milling machine - 3 axis
- 2 NC surface grinding machine
- 1NC measuring machine - 3 axis
- 1 CNC processing center for deep hole drilling up to 1200 mm



## CONTACT

### CONTACT

ORO PLUS D.O.O.  
Studeno 75  
6230 POSTOJNA,  
SLOVENIA  
**T** +386 (0)5 751 60 55  
**E** +386 (0)5 751 50 18  
**W** toni@oro.si

### Toni Pečarič

E. Eng.  
Director

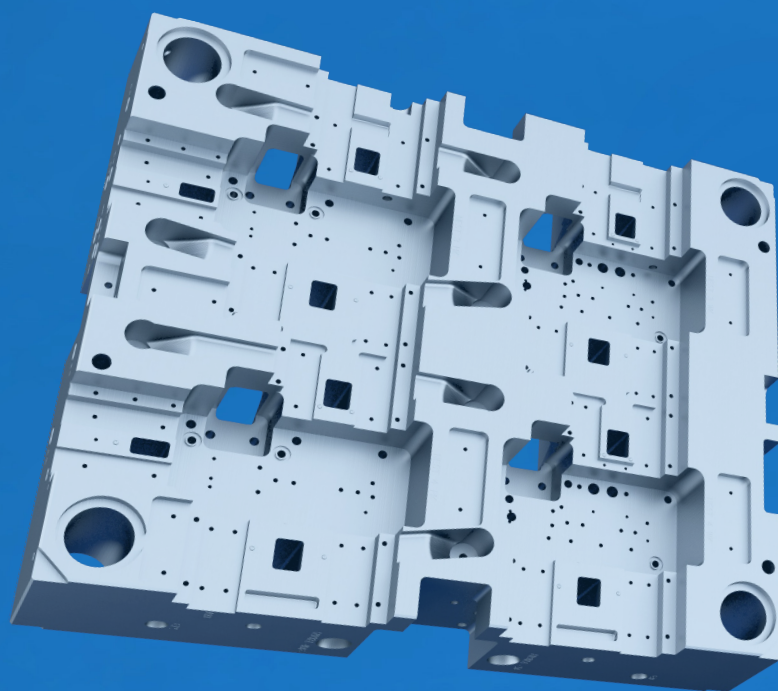
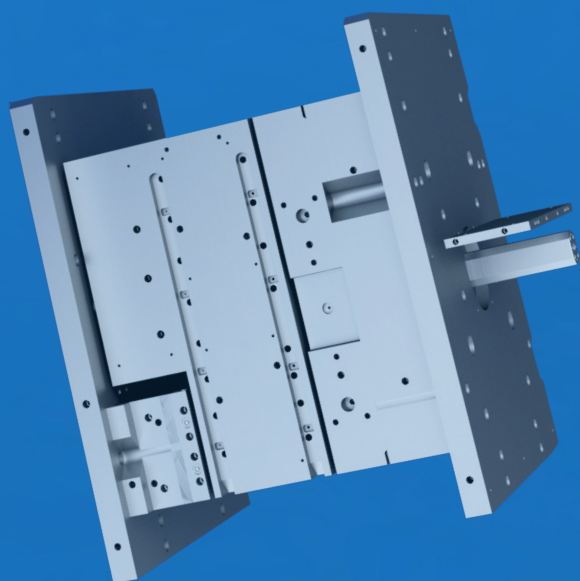
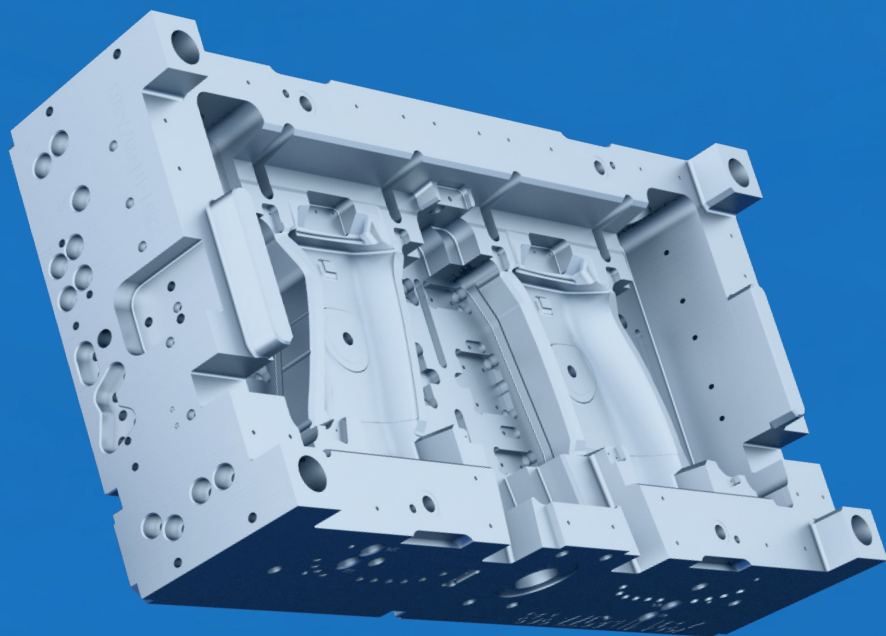
**T** +386 41 342 908  
**E** toni@oro.si  
**W** oroplus.si

### Doris Pečarič

Administration and  
finance

**T** +386 41 273 858  
**E** doris@oro.si  
**W** oroplus.si





## CONTACT

ORO PLUS D.O.O.  
Studeno 75, 6230 Postojna  
Slovenia  
T: +386 41 342 908  
E: toni@oro.si